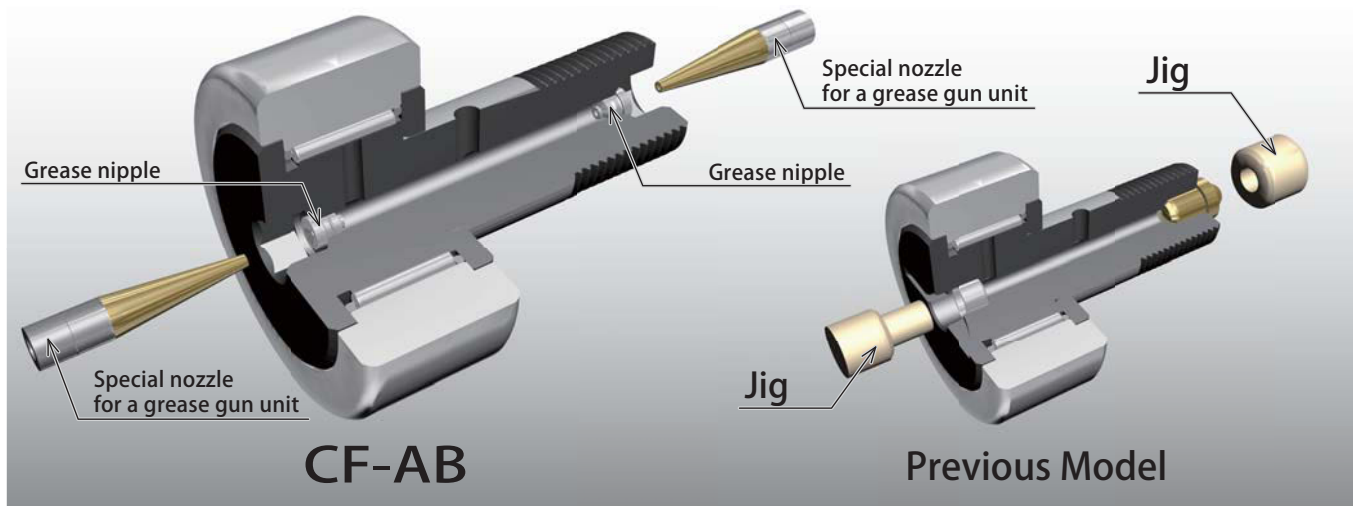




## Cam Follower with Grease Nipple

### CF-AB

#### Grease Nipples Attached in Hexagonal Sockets at Both the Stud Head and Thread Ends



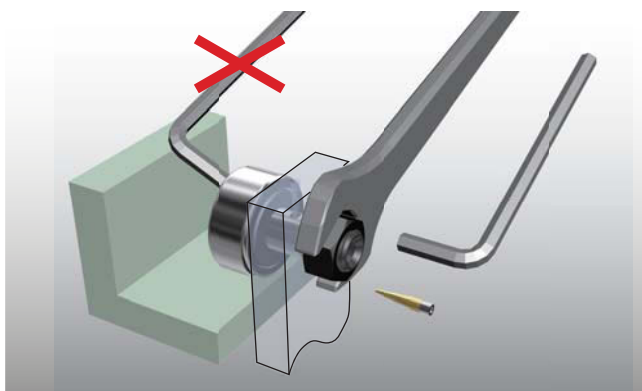
#### ● Reduced Assembly Times

The previous model required the creation of jigs and the installation of filler plugs and grease nipples. On the CF-AB, grease nipples are affixed to both sides, so it can be used right out of the box.

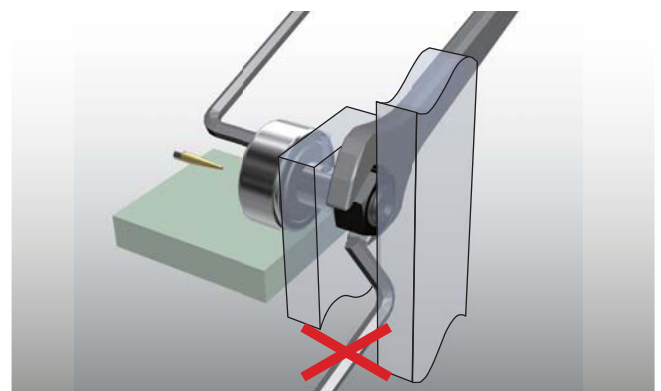
#### ● Easy Attachment and Maintenance

A hex wrench can be used to fix either the head end of the stand or the thread end, and greasing is possible from either end. The unit can be installed and maintained without concern for installation space, thereby boosting operating efficiency.

#### In Case of Interference at the Stud Head Side



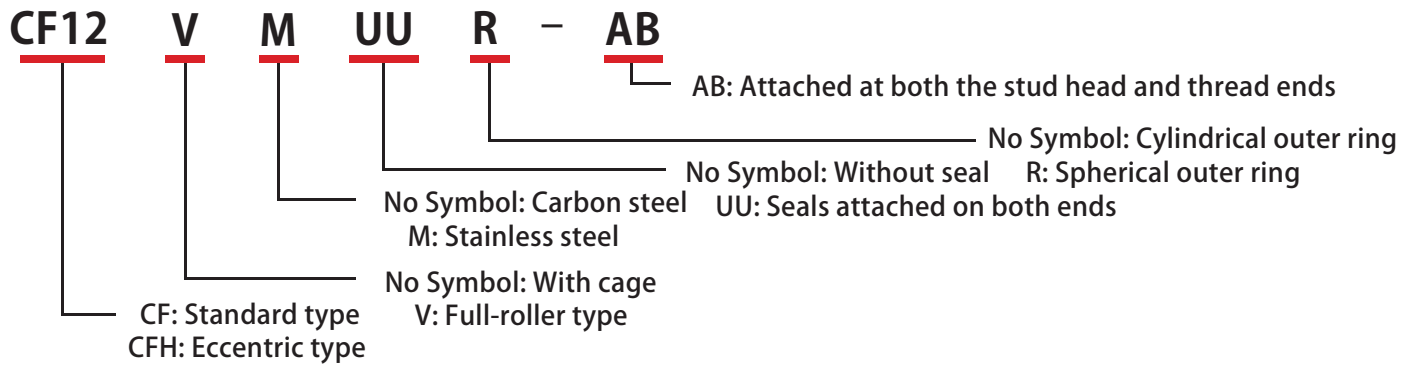
#### In Case of Interference at the Stud Thread Side



#### ● Parts Can Be Consolidated or Replaced (Dimensionally Compatible)

The slotted stud model (CF) and the hex socket model (CF-A, CF-B) have been combined into the CF-AB type. The grease nipple is inside the hexagonal socket so that conventional models can be replaced without having the nipple protruding. Note) Model CF-AB corresponds to model numbers 12 to 30-2.

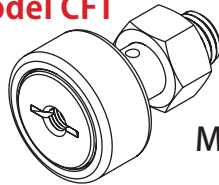
## Model Number Coding Example



## Other Models in the Lineup

In addition to Cam Follower with hexagonal socket and Eccentric Cam Follower with hexagonal socket, THK offers the following models.

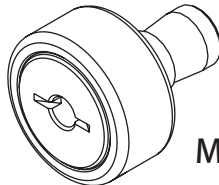
### ● Cam Follower with Tapped Hole for Greasing Model CFT



Model CFT

Basically the same as the popular type Cam Follower, this model is provided with tapped holes for piping on the stud head and the thread. It is optimal for locations where integrated piping for greasing is required.

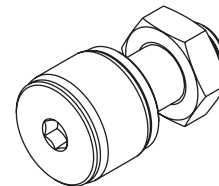
### ● Easy-Mount Cam Follower Model CF-SFU



Model CF-SFU

To simplify installation, a flat-head slot has been machined into the stud so that it can be secured with a screw. This is ideal for units where there is no space to fasten the stud. Model CF-SFU is only available with seals.

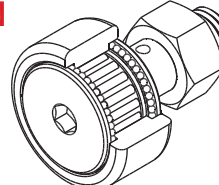
### ● Outer Ring Compact Cam Follower Model CFS



Model CFS

This product contains extremely fine needle rollers. The outer ring diameter is extremely small relative to the stud diameter, allowing a compact design.

### ● Cam Follower Containing Thrust Balls Model CFN



Model CFN

Based on the popular type Cam Follower, this model is incorporated with thrust load balls. Used in rugged, high-speed cam configurations, this model is effective at countering abnormal wear resulting from thrust loads due to mounting error.

NORTH AMERICA  
THK America, Inc.  
● HEAD QUARTERS  
Phone: +1-847-310-1111 Fax: +1-847-310-1271  
● CHICAGO OFFICE  
Phone: +1-847-310-1111 Fax: +1-847-310-1182  
● NORTH EAST OFFICE  
Phone: +1-631-244-1565 Fax: +1-631-244-1565  
● ATLANTA OFFICE  
Phone: +1-770-840-7990 Fax: +1-770-840-7897  
● LOS ANGELES OFFICE  
Phone: +1-949-955-3145 Fax: +1-949-955-3149  
● SAN FRANCISCO OFFICE  
Phone: +1-925-455-8948 Fax: +1-925-455-8965  
● DETROIT OFFICE  
Phone: +1-248-858-9330 Fax: +1-248-858-9455  
● TORONTO OFFICE  
Phone: +1-905-820-7800 Fax: +1-905-820-7811

SOUTH AMERICA  
THK BRAZIL INDUSTRIA E COMERCIO LTDA.  
Phone: +55-11-3767-0100 Fax: +55-11-3767-0101

EUROPE  
THK GmbH  
● EUROPEAN HEADQUARTERS  
Phone: +49-2102-7425-555 Fax: +49-2102-7425-556  
● DÜSSELDORF OFFICE  
Phone: +49-2102-7425-0 Fax: +49-2102-7425-299  
● STUTTGART OFFICE  
Phone: +49-7141-4988-500 Fax: +49-7141-4988-888  
● U.K. OFFICE  
Phone: +44-1384-47-1550 Fax: +44-1384-47-1551

● ITALY OFFICE  
Phone: +39-02-9901-1801 Fax: +39-02-9901-1881  
● SWEDEN OFFICE  
Phone: +46-8-445-7630 Fax: +46-8-445-7639  
● AUSTRIA OFFICE  
Phone: +43-7229-51400 Fax: +43-7229-51400-79  
● SPAIN OFFICE  
Phone: +34-93-652-5740 Fax: +34-93-652-5746  
● TURKEY OFFICE  
Phone: +90-216-362-4050 Fax: +90-216-569-7150  
● PRAGUE OFFICE  
Phone: +420-2-41025-100 Fax: +420-2-41025-199  
● MOSCOW OFFICE  
Phone: +7-495-649-80-47 Fax: +7-495-649-80-44  
THK Europe B.V.  
● EINDHOVEN OFFICE  
Phone: +31-040-290-9500 Fax: +31-040-290-9599  
THK France S.A.S.  
Phone: +33-4-3749-1400 Fax: +33-4-3749-1401

CHINA  
THK (CHINA) CO., LTD.  
● HEADQUARTERS  
Phone: +86-411-8733-7111 Fax: +86-411-8733-7000  
● SHANGHAI OFFICE  
Phone: +86-21-6219-3000 Fax: +86-21-6219-9890  
● BEIJING OFFICE  
Phone: +86-10-8441-7277 Fax: +86-10-6590-3557  
● CHENGDU OFFICE  
Phone: +86-28-8526-8025 Fax: +86-28-8525-6357

● GUANGZHOU OFFICE  
Phone: +86-20-8523-8418 Fax: +86-20-3801-0456  
● SHENZHEN OFFICE  
Phone: +86-755-2642-9587 Fax: +86-755-2642-9604  
● XIAN OFFICE  
Phone: +86-29-8834-1712 Fax: +86-29-8834-1710  
THK (SHANGHAI) CO., LTD.  
Phone: +86-21-6275-5280 Fax: +86-21-6219-9890

TAIWAN  
THK TAIWAN CO., LTD.  
● TAIPEI HEAD OFFICE  
Phone: +886-2-2888-3818 Fax: +886-2-2888-3819  
● TAICHUNG OFFICE  
Phone: +886-4-2359-1505 Fax: +886-4-2359-1506  
● TAINAN OFFICE  
Phone: +886-6-289-7668 Fax: +886-6-289-7669

KOREA  
SEOUL REPRESENTATIVE OFFICE  
Phone: +82-2-3468-4351 Fax: +82-2-3468-4353

SINGAPORE  
THK LM SYSTEM Pte. Ltd.  
Phone: +65-6884-5500 Fax: +65-6884-5550

THAILAND  
THK LM System Pte. Ltd. Representative Office in Thailand  
Phone: +660-2751-3001 Fax: +660-2751-3003

INDIA  
THK India Pvt. Ltd.  
Phone: +91-80-2340-9934 Fax: +91-80-2340-9937

JAPAN  
THK CO., LTD. (INTERNATIONAL SALES DEPARTMENT)  
Phone: +81-3-5434-0351 Fax: +81-3-5434-0353