

LM Guide with Extremely heavy load capacity **JUP**

Advantages

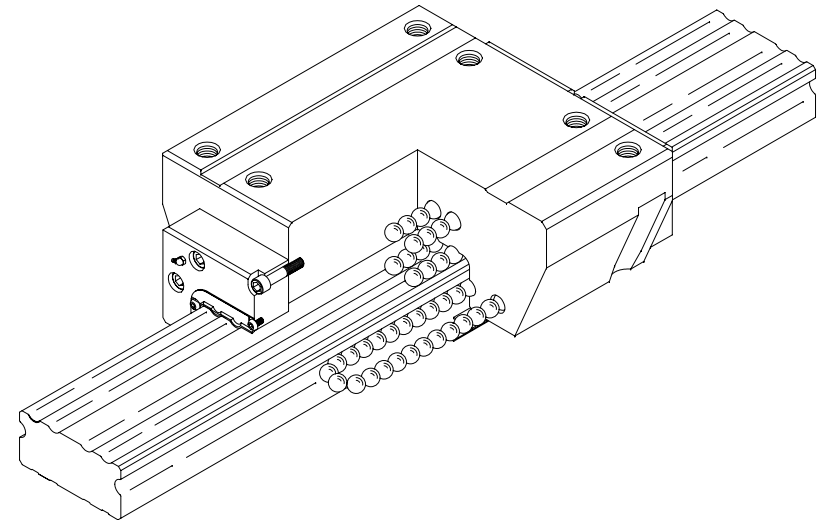
■ **Max. load capacity 780t per one block**
4 raceways in radial direction can be loaded by 780 t max. per one block.

■ **Low friction**
Even by loading with heavy load, the block can move by small force because of low friction factor of 0.01.

Dimensions

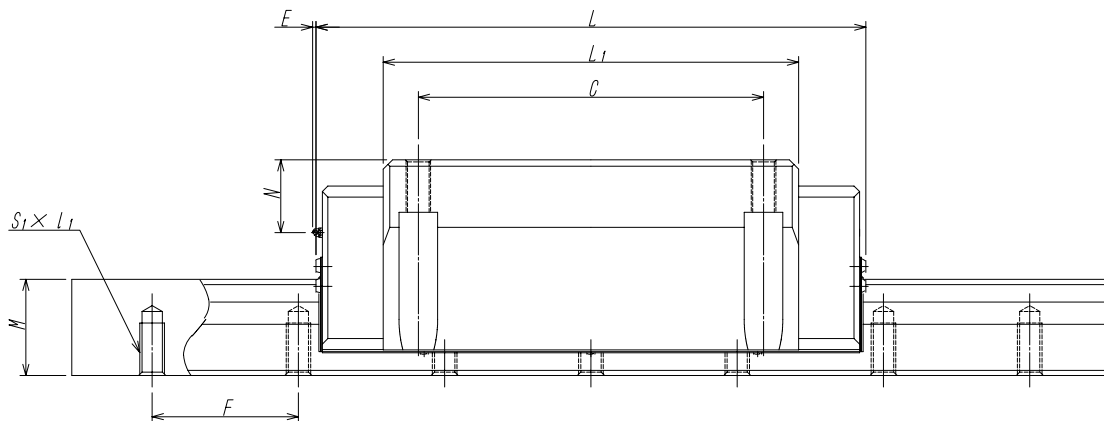
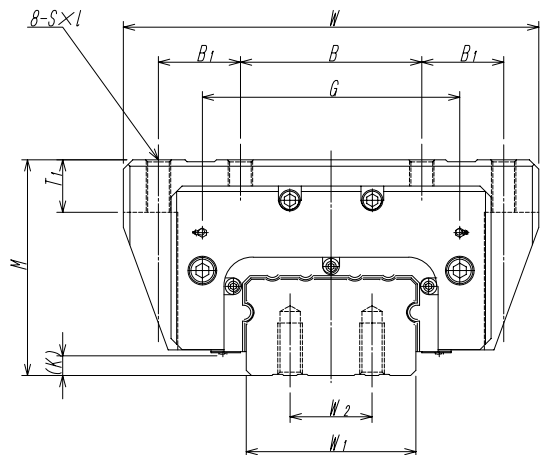
Unit: mm

Modell No.	Height	Block Width	Block Length	Rail Width
JUP250A	170	330	435	130
JUP385A	210	410	535	160
JUP500A	235	465	600	180
JUP780A	290	560	740	230



Ultra High Load LM Guide JUP

Type A

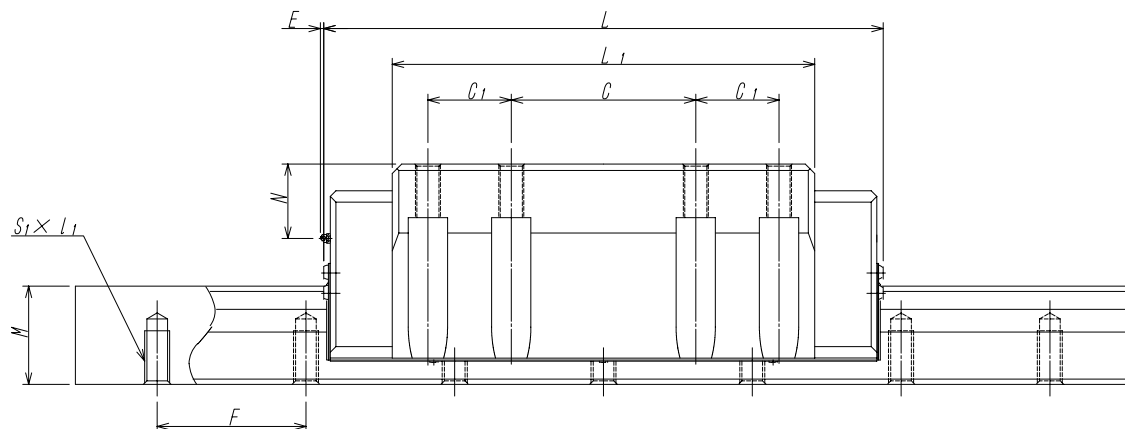
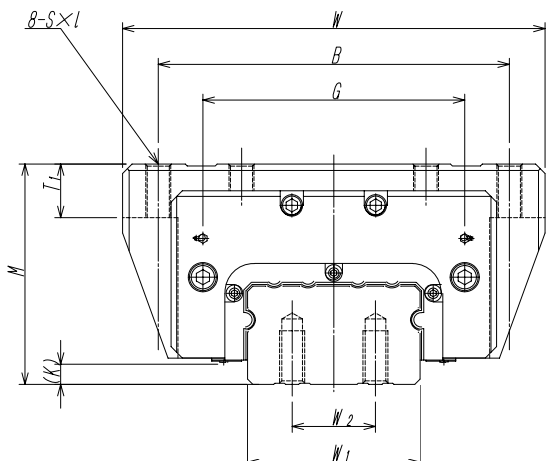


Modell No.	Outer Dimensions			LM Block Dimensions (mm)										
	M	W	L	B	B1	C	S x I	L ₁	T ₁	K	N	E	G	Grease nipple
JUP250A	170	330	435	150	60	270	M20 x 50	330	50	12	55	9	160	B-PT1/4
JUP385A	210	410	535	180	80	340	M24 x 60	410	60	15	65	9	210	B-PT1/4
JUP500A	235	465	600	200	90	380	M27 x 60	465	60	17	75	9	260	B-PT1/4
JUP780A	290	560	740	250	110	470	M30 x 65	560	65	18	100	8	340	B-PT1/4

Modell No.	Rail Dimensions (mm)					Ball size		No. of loaded balls	Static Load Rating (t)		Dynamic Load Rating (t)		Weight	
	W ₁	W ₂	M ₁	F	S ₁ x I ₁	(mm)	(inch)		radial	reverse radial	radial	reverse radial	Block (kg)	Rail (kg/m)
JUP250A	130	65	70	120	M24 x 36	16.669	21/32	19	253	89	118	51	110	70
JUP385A	160	80	85	150	M30 x 45	20.638	13/16	19	388	137	186	81	220	110
JUP500A	180	90	98	150	M36 x 55	23.813	15/16	19	517	183	252	110	280	135
JUP780A	230	110	120	200	M36 x 60	30.163	11.875	18	785	278	402	175	530	220

Ultra High Load LM Guide JUP

Type B



Modell No.	Outer Dimensions			LM Block Dimensions (mm)											Grease nippel
	M	W	L	B	C	C ₁	S x I	L ₁	T ₁	K	N	E	G		
JUP250B	170	330	435	270	150	60	M20 x 50	330	50	12	55	9	160	B-PT1/4	
JUP385B	210	410	535	340	180	80	M24 x 60	410	60	15	65	9	210	B-PT1/4	
JUP500B	235	465	600	380	200	90	M27 x 60	465	60	17	75	9	260	B-PT1/4	
JUP780B	290	560	740	470	250	110	M30 x 65	560	65	18	100	8	340	B-PT1/4	

Modell No.	Rail Dimensions (mm)				Ball size		No. of loaded balls	Static Load Rating (t)		Dynamic Load Rating (t)		Weight		
	W ₁	W ₂	M ₁	F	S ₁ x I ₁	(mm)		(inch)	radial	reverse radial	radial	reverse radial	Block (kg)	Rail (kg/m)
JUP250B	130	65	70	120	M24 x 36	16.669	21/32	19	253	89	118	51	110	70
JUP385B	160	80	85	150	M30 x 45	20.638	13/16	19	388	137	186	81	220	110
JUP500B	180	90	98	150	M36 x 55	23.813	15/16	19	517	183	252	110	280	135
JUP780B	230	110	120	200	M36 x 60	30.163	11.875	18	785	278	402	175	530	220