

Cross Type Caged Ball LM Guide **SCR**

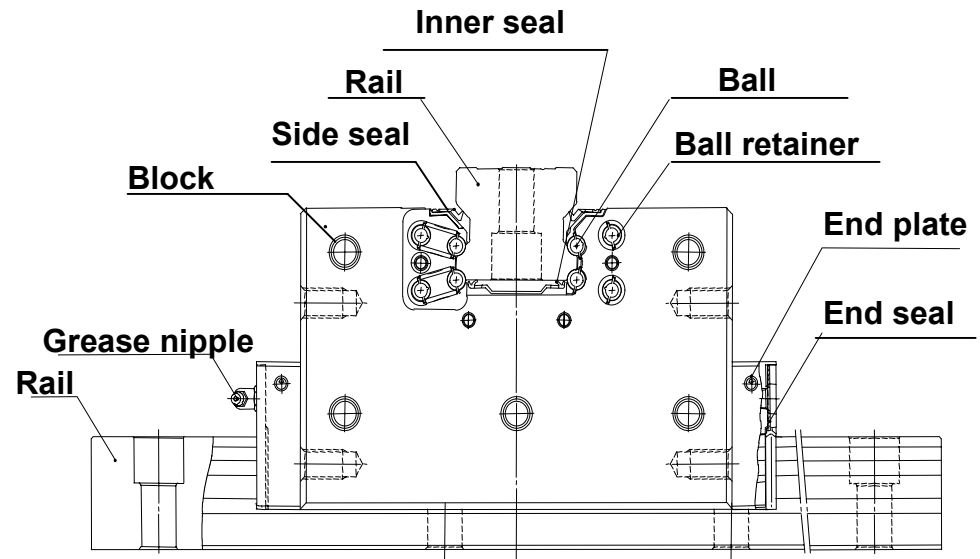
Advantages

- Cross angle directly delivered with caged ball LM Guide
- More rigid and compact than combined SHS
- Long-term maintenance-free and long service life
- Excellent smooth motion
- Low noise generation

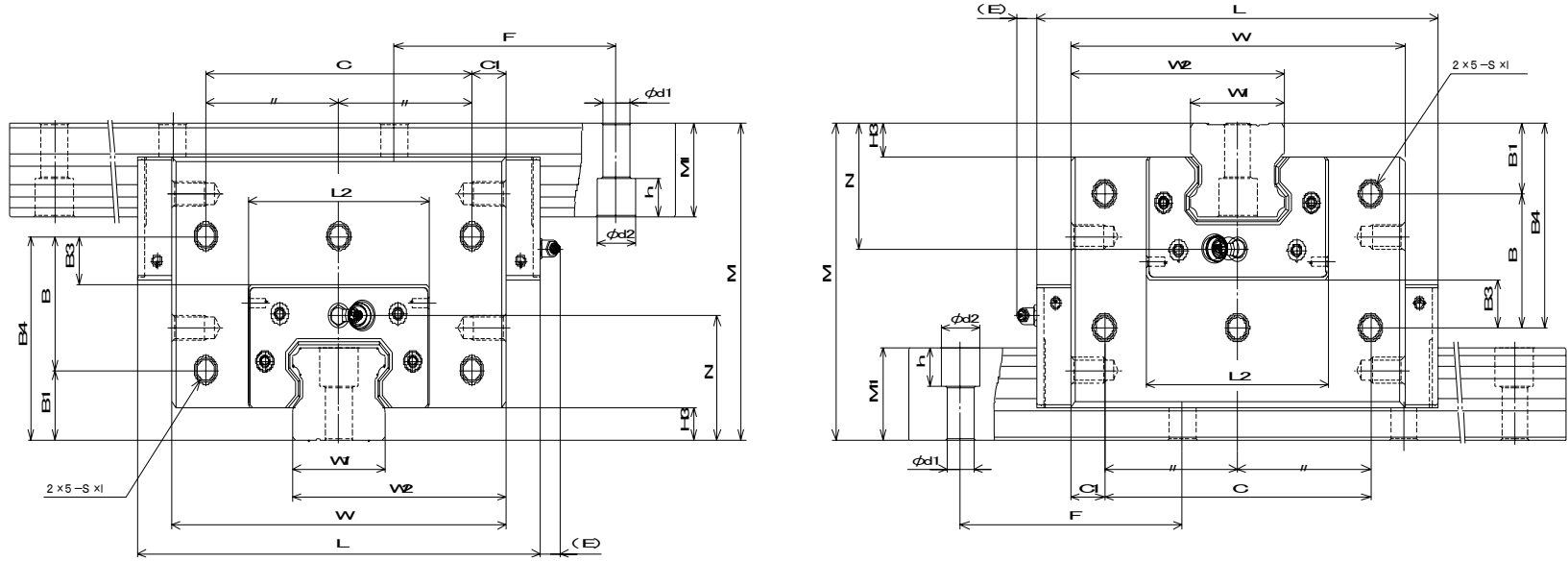
Dimensions

Unit: mm

Modell No.	Height	Block Width	Block Length	Rail Width
SCR25	70	88	109	23
SCR30	82	105	131	28
SCR35	95	123	152	34
SCR45	118	140	174	45
SCR65	180	226	272	63



Cross Caged LM Guide SCR



Outer dimensions

Modell No.	(mm)			LM Block (mm)											Grease nipple	LM Rail (mm)					Load Rating		Perm.Moment
	M	W	L	B ₁	B ₃	B ₄	B	C	C ₁	S x I	L ₂	H ₃	N	E		W ₁	W ₂	M ₁	pitch F	Mounting hole d ₁ x d ₂ x h	C (kN)	C ₀ (kN)	Mo (kN·m)
SCR25	70	88	109	18	9	44	26	64	12	M6 x 10	47.4	5.8	30	12	B-M6F	23	55.5	20	60	7 x 11 x 9	36.8	64.7	0.74
SCR30	82	105	131	21	12	53	32	76	14.5	M6 x 10	58	7	35	12	B-M6F	28	66.5	23	80	9 x 14 x 12	54.2	88.8	1.19
SCR35	95	123	152	24	14	61	37	90	16.5	M8 x 14	68	7.5	40	12	B-M6F	34	78.5	26	80	9 x 14 x 12	72.9	127	2.04
SCR45	118	140	174	30	16.5	75	45	110	15	M10 x 15	84.6	8.9	50	16	B-PT1/8	45	92.5	32	105	14 x 20 x 17	100	166	3.02
SCR65	180	226	272	40	27.5	116	76	180	23	M14 x 22	123	19	71	16	B-PT1/8	63	144.5	53	150	18 x 26 x 22	253	408	12.20